

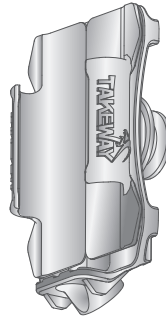
# T-PH03 USER GUIDE

Phone holder for sports



All information described in this user guide is based on the test standard of Takeway. Sorry for the inconvenience caused if there are any errors. The design and specifications of this product are subject to change without notice.

Copyrighted: All Rights Reserved



Manufacturer  
**EHOMA INDUSTRIAL CORPORATION**

TEL: +886-4-24065031  
info@takeway.tw  
www.takeway.tw

EN 2017/06

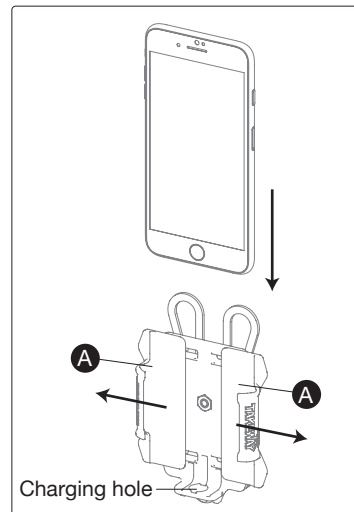
## T-PH03 USER GUIDE

Phone holder for sports

Before using the product for the first time, please read through the user guide.  
Please use this product correctly after fully understanding the content of the user guide.

The phone holder for sports T-PH03 is the accessory of Takeway. It is suitable for smartphone at **4~6 inches** which can be used in a dynamical environment, even there is strong shaking it will not fall off.

- 1 Push **A** the mounting plate slightly outward and insert phone by sliding the phone from the top to the bottom.

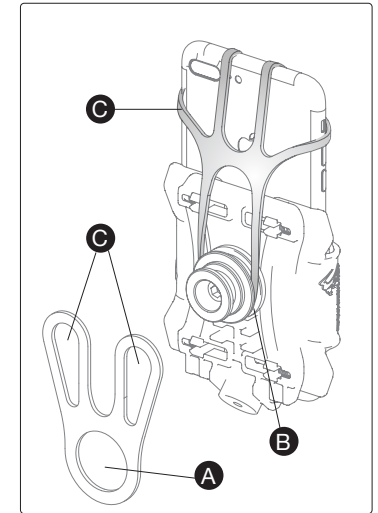


# T-PH03 USER GUIDE

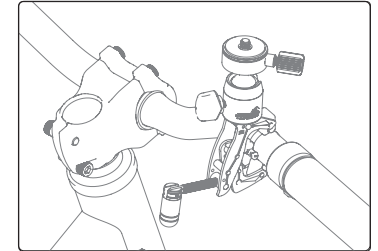
Phone holder for sports



- 2 Put **A** V belt **B** into the groove on quick release clip. Pull the **C** ears of V belt to both phone top sides for bundling.



- 3 Clamp R2 Ranger Clampod to a proper location and shake gently to make sure it is firmly secured to prevent items from loosening and falling.



- 4 Release **A** Quick release knob, and remove **B** Quick release clip. Mount **C** Quick release clip with the Phone holder on **D** Mounting platform, and screw in **E** Quick release knob. When using, please use Ballhead knob to rotate the phone a freely in 360°. Adjust the phone to a proper position and you can start using.

